

REVISIONS		DATE	APVD	RS
REV	DESCRIPTION			

NOTES: UNLESS OTHERWISE SPECIFIED:
 ① THESE DRAWINGS DESCRIBE THE LOGIC OF THE
 DRAM CONTROLLER I.C. SPECIFIED IN
 T.I. PART NO. 1047725

DRAM CONTROLLER PIN DEFINI

<u>PIN MEMORNIC</u>	<u>SYSTEM</u>	<u>FUNCTION</u>	<u>ADDRESS</u>	<u>MSB</u>	<u>PIN #</u>	<u>CF40064</u>	<u>PIN NAME</u>
A0		"			1		RAS
A1		"			2		RAS
A2		"			3		RAS
A3		"			4		RAS
A4		"			5		CAS
A5		"			6		WE
A6		"			7		RAC
A7		"			16		RA1
A8		"			17		RA2
A9		"			18		RA3
A10		"			19		RA4
A11		"			20		RA5
A12		"			22		RA6
A13		"			23		RA7
A14		"			24		
A15		"			25		14 OUT
DBIN		DATA READ DIRECTION			39		
SELK		ACTIVE LOW MEMORY CYCLE REQUEST			38		
CPUCLK*		" (φ3) CPU CLK			30		VCC
SCLK		4x3φ SYSTEM CLOCK (12 MHz MAX, 10.7 MHz TYP)			11		GND
MBDE		99/4 - ARMADILLO MBDE: 1 = 99/4, 0 = ARMADILLO			14		GND
BTGR		64Kx4 - 16Kx4 DEVICE SELECT: 0 = 16Kx4, 1 = 64Kx4			15		VCC
22 INPUTS TOTAL							

DIMENSION IDENT NUMBER	
USED	NOT USED

A B C D

8

7

6

5

FORMAL RELEASE

D

C

B

A

IN DEFINITION

PIN MNEMONIC	FUNCTION	PIN#
RAS0*	BANK 0 RAS CHIP SELECT, (LS), ACTIVE LOW	8
RAS1*	"	9
RAS2*	"	12
RAS3*	" (MS)	13
CAS*	COMMON BANK CAS,	36
WE*	ACTIVE LOW WRITE ENABLE	37
RA0	DRAM ADDRESS, MSB	26
RA1	"	27
RA2	"	28
RA3	"	29
RA4	"	32
RA5	"	33
RA6	"	34
RA7	" , LSB	35

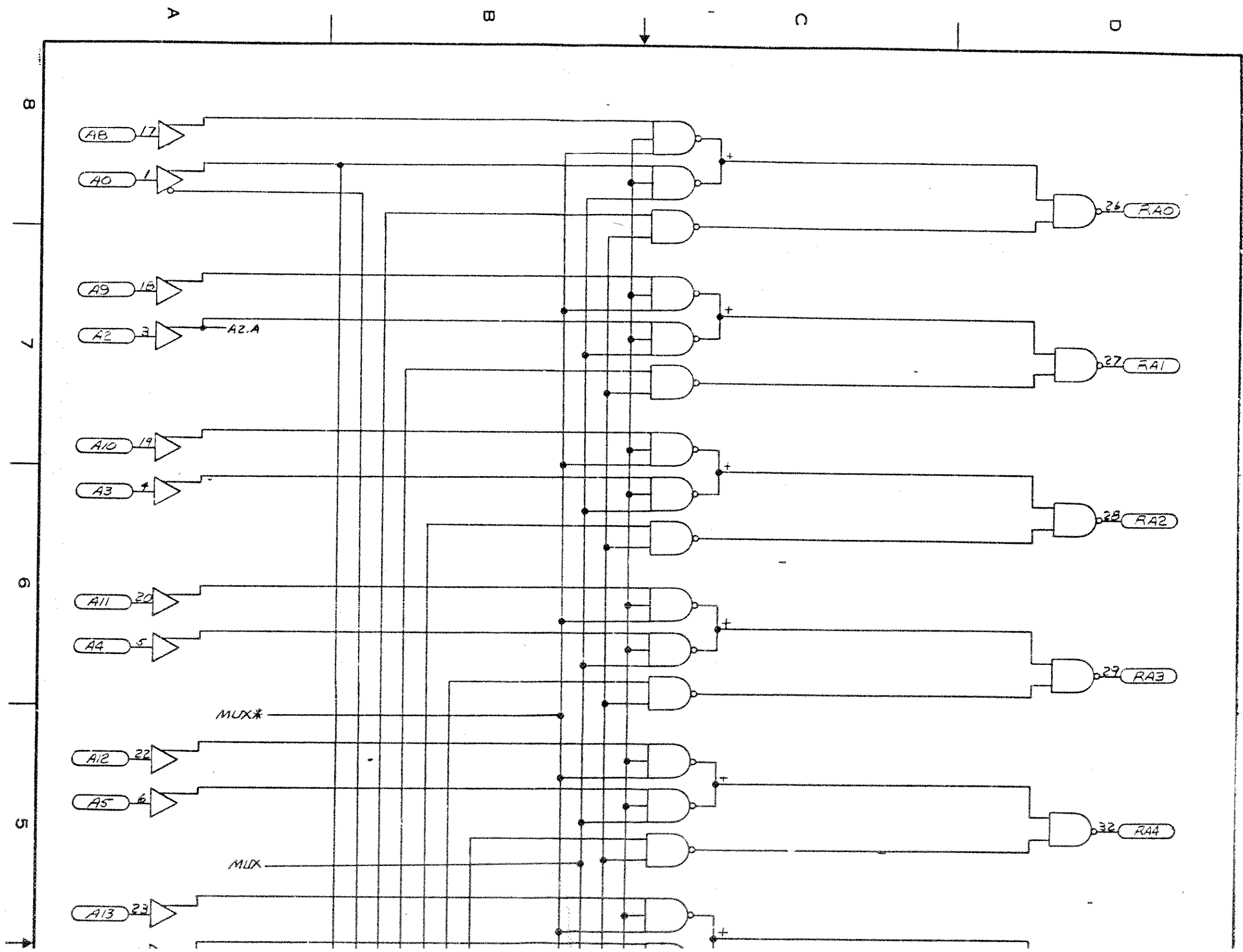
14 OUTPUTS, TOTAL

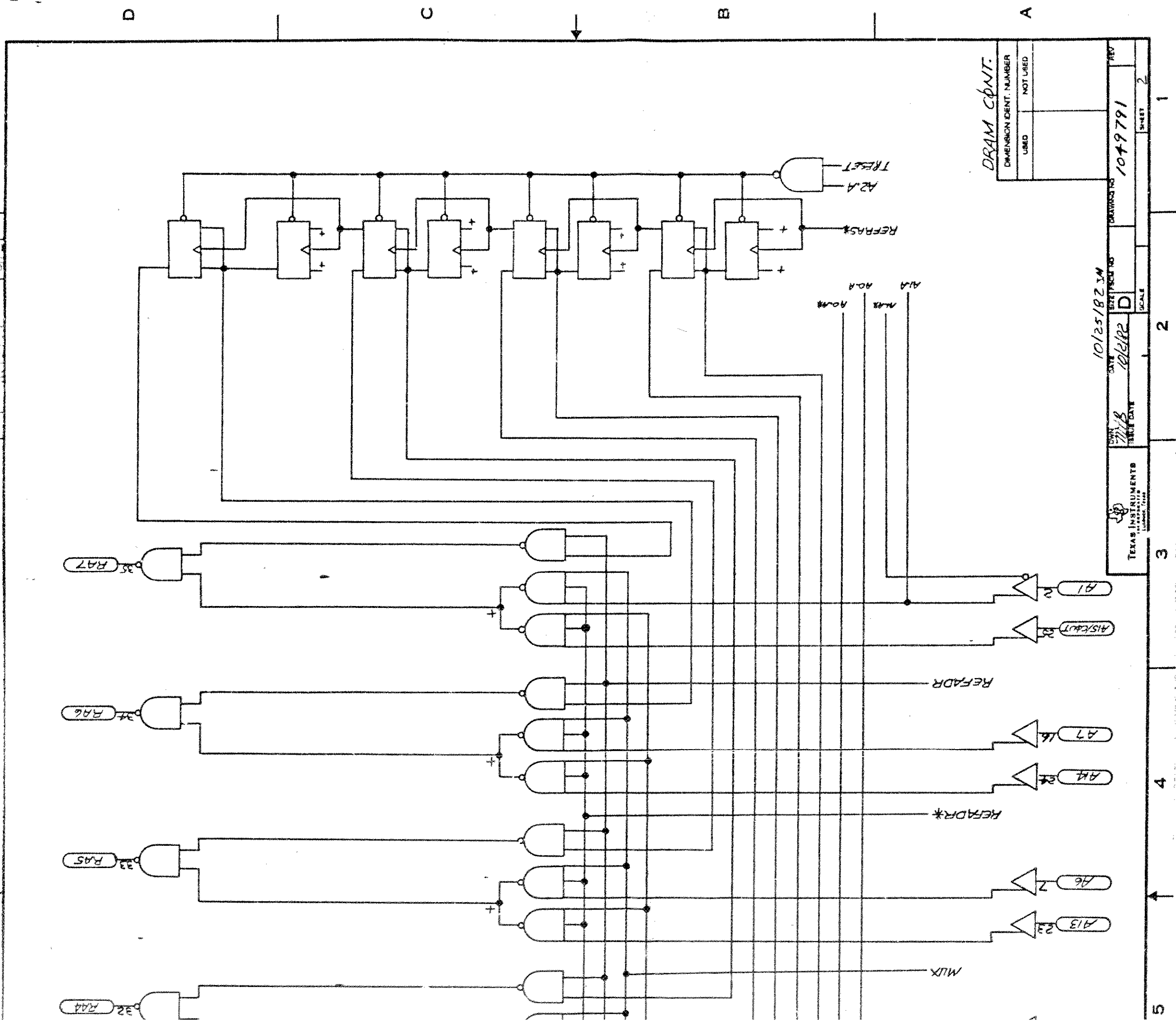
VCC	75V	21
GND	LOGIC GROUND	10
GND	"	31
VCC	75V	40

10/27/82 JMI
10/22/82

ITEM NO.	PART NUMBER	DESCRIPTION	PARTS LIST	MATERIAL	REMARKS
		VALUES UNLESS SPECIFIED	DATE 10/23/82		TEXAS INSTRUMENTS CONSUMER PRODUCTS GROUP LUBBOCK, TEXAS
		1 DIMENSIONS ARE IN MILLIMETERS	DATE 6/27/83		LOGIC DIAGRAM, DRAM CONTROLLER
		2 TOLERANCES UNLESS OTHERWISE SPECIFIED	DATE 7/17/83		CP#4006*
		3 PLACE DECIMALS			
		4 PLACE DECIMALS			
		5 DIMENSIONS IN ACCORDANCE WITH ASME Y14.5			
	601	USED ON			
	359	USED ON			
		APPLICATION			
					1049791
					1 OF 4

4 3 2 1



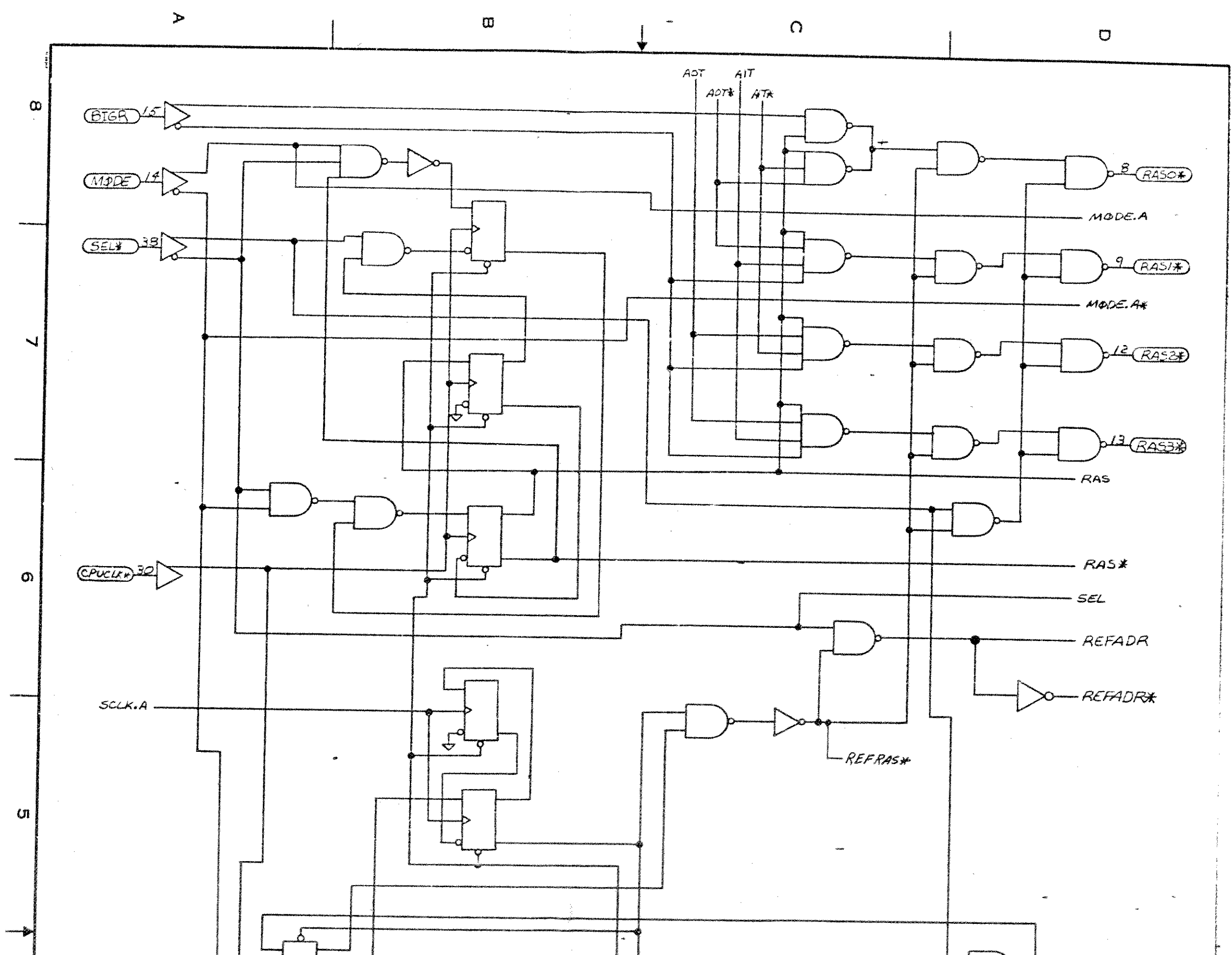


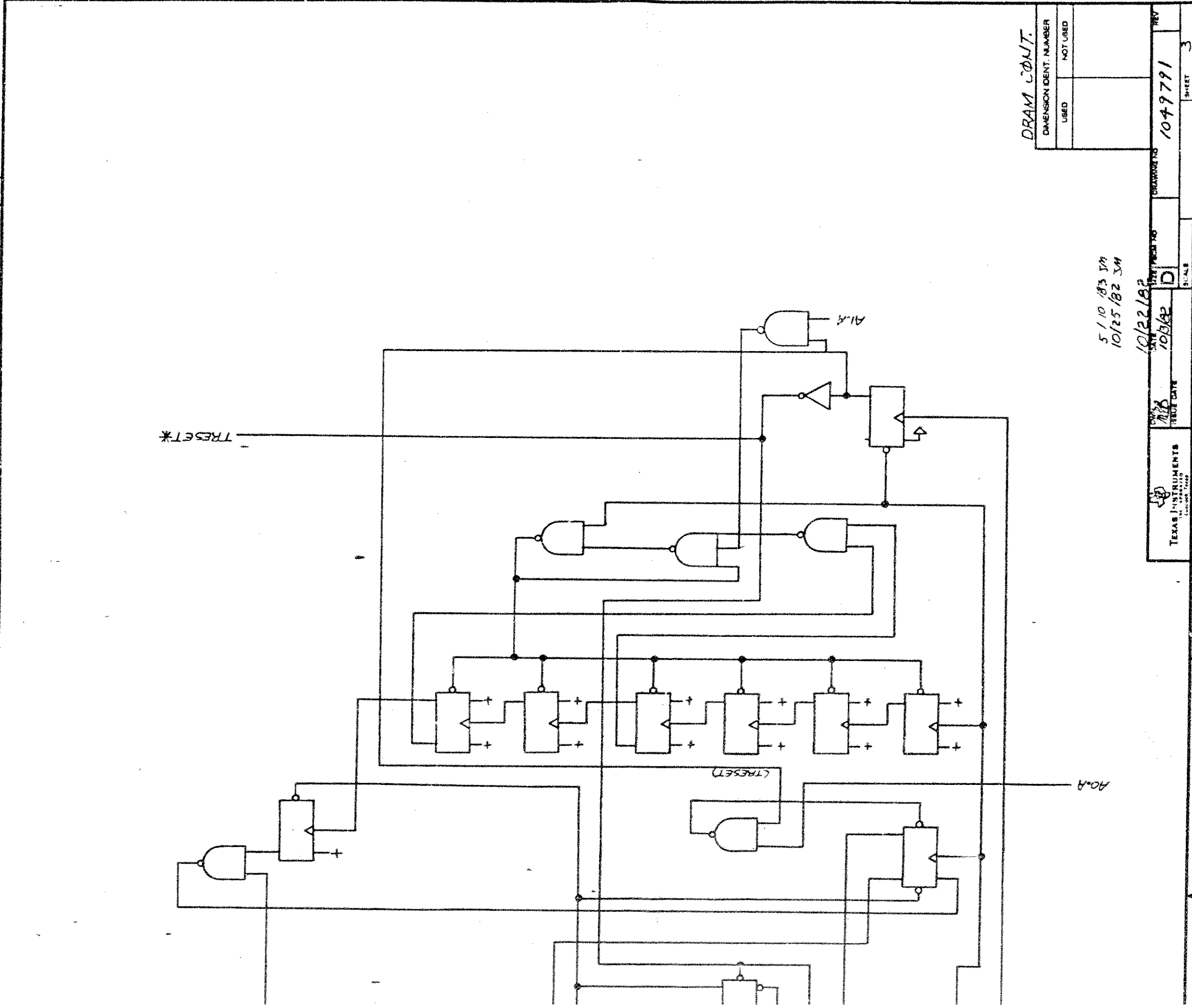
DRAM CONT.

DIMENSION IDENT. NUMBER	
USED	NOT USED

DATE	10/25/82 JM
BY	JTB
TEST DATE	10/16/82
SCALE	D
PROJECT NO.	1049791
SHEET	2

TEXAS INSTRUMENTS
CORPORATION
DALLAS, TEXAS





DRAM COUNT.

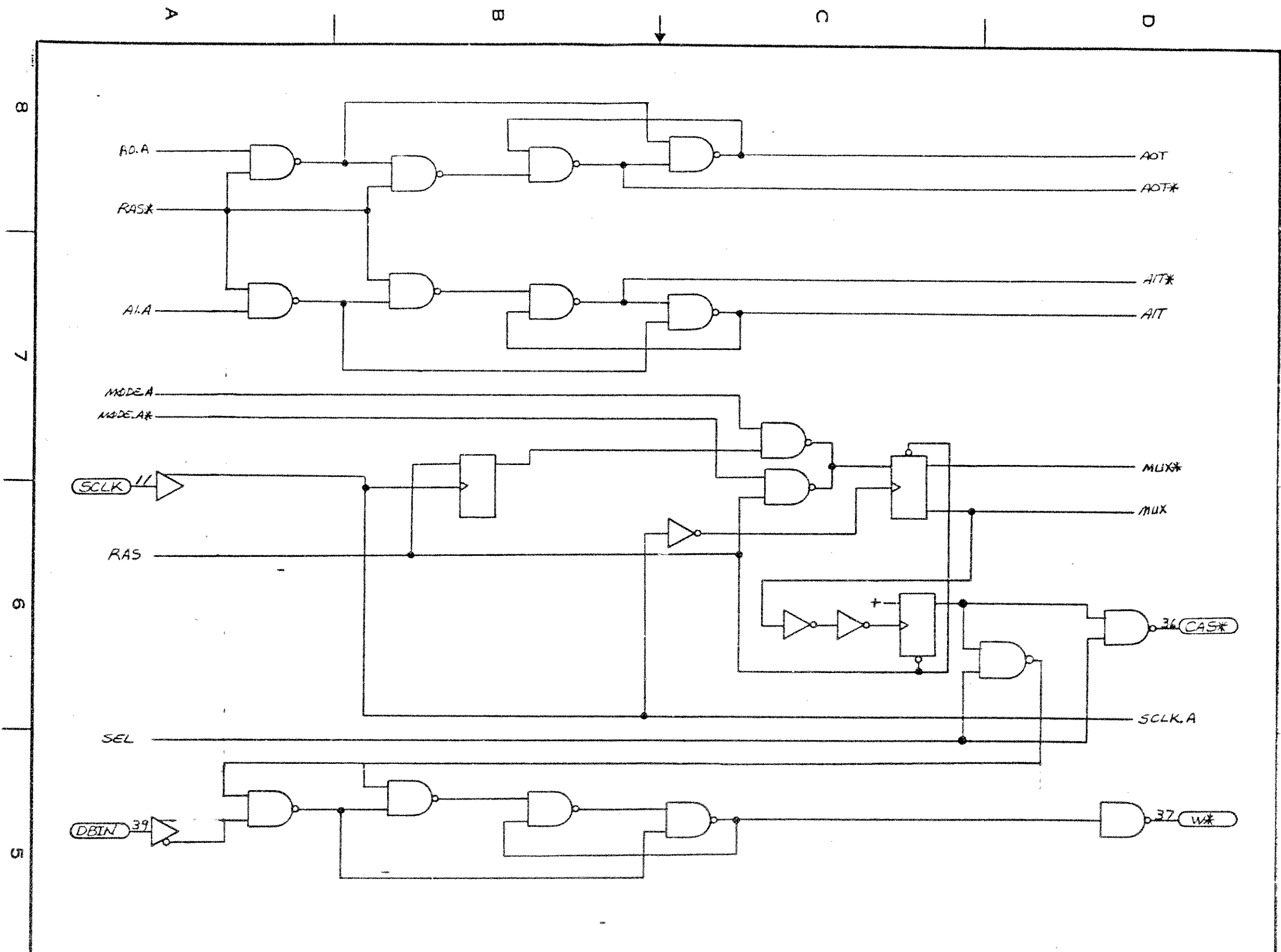
DIMENSION IDENT. NUMBER	
USED	NOT USED

5/10/83 JM
10/25/82 SM

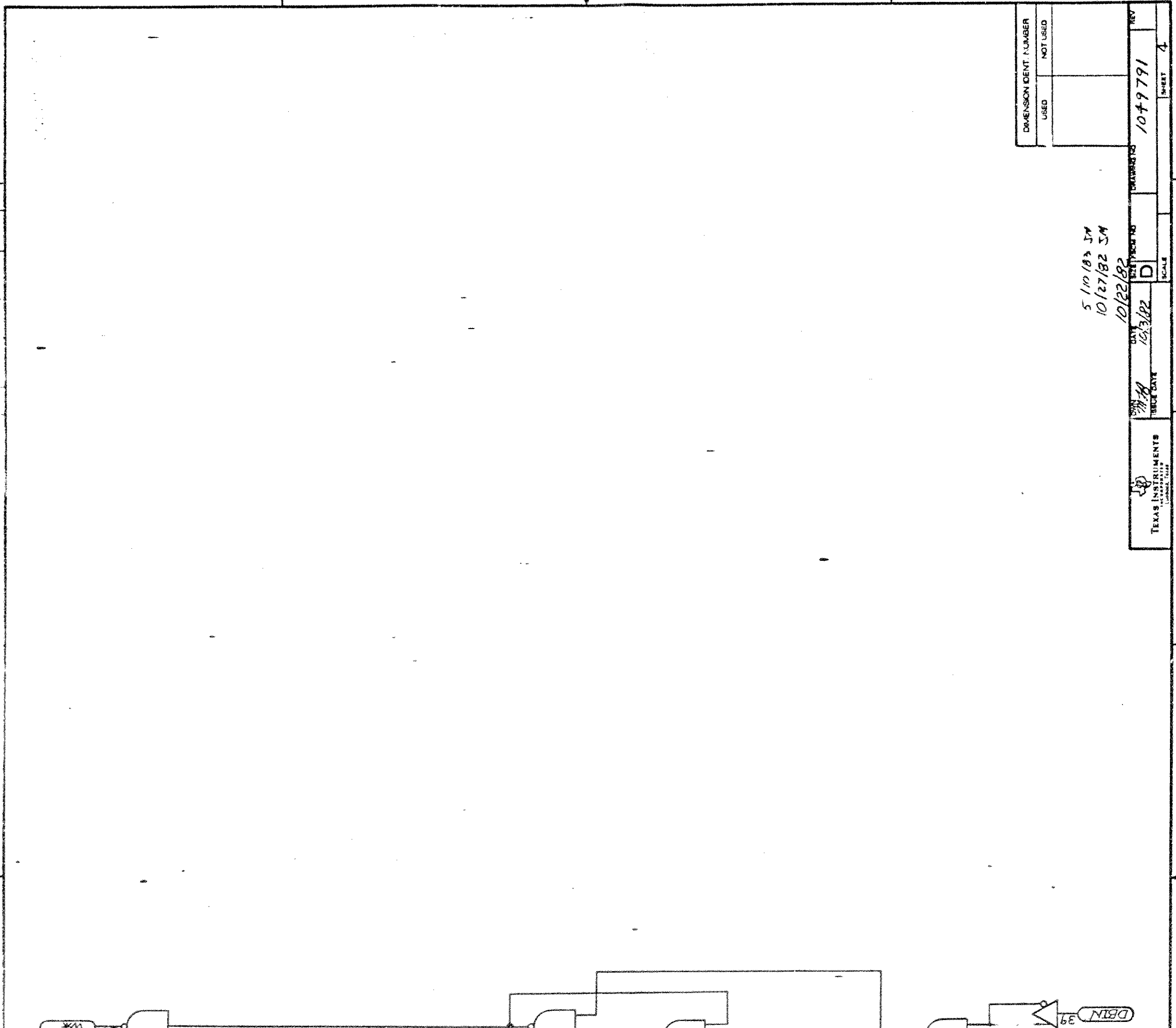
10/22/82
10/8/82

DESIGNER	DATE	SCALE	SHEET
JM	10/8/82	D	3
CHECKED BY		DATE	SCALE
TEXAS INSTRUMENTS LUGOUD TEXAS			

10X3



D C B A



DIMENSION IDENT. NUMBER	
USED	NOT USED

5/10/82 JM
 10/27/82 JM
 10/22/82

DATE	10/3/82	SCALE	D	DRAWING NO.	1049791	REV.	4
DATE		SCALE		DRAWING NO.		REV.	
TEXAS INSTRUMENTS CORPORATION DALLAS, TEXAS				SHEET 4			

1 2 3 4 5

